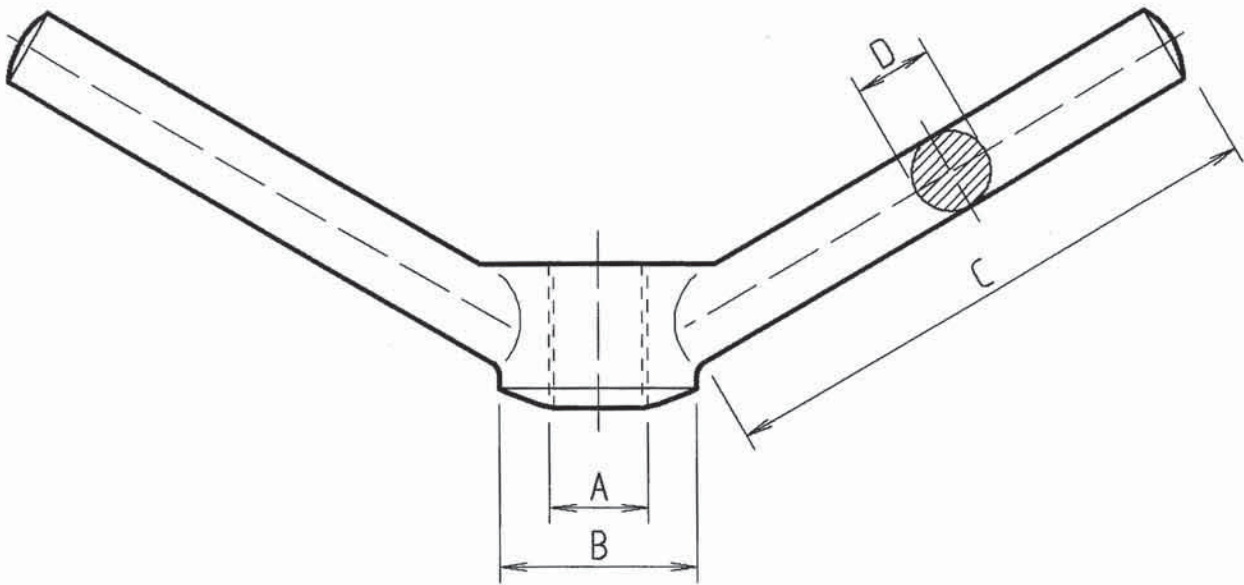




BUTTERFLY TOGGLE

Knevelmoer
Knebelmutter
Ecrou à ailettes

Roestvrij staal/Messing
Rostfreier stahl/Messing
Acier inoxydable/Laiton



Part nr.	A	B	C	D	Material
12.SS.220.02	M12	30 mm	58 mm	14 mm	Stainless steel
16.SS.220.03	M16	32 mm	64 mm	14 mm	Stainless steel
20.SS.220.04	M20	36 mm	70 mm	15 mm	Stainless steel
24.SS.220.05	M24	40 mm	76 mm	16 mm	Stainless steel
12.BR.220.12	M12	30 mm	58 mm	14 mm	Brass
16.BR.220.13	M16	32 mm	64 mm	14 mm	Brass
20.BR.220.14	M20	36 mm	70 mm	15 mm	Brass
24.BR.220.15	M24	40 mm	76 mm	16 mm	Brass

AISI 316 is equal to Werkstoff nr. 1.4408

Brass in accordance with DIN 17.673 Blatt 1.

Dimensions in accordance with DIN 80.704. Material: Cu Zu 40Pb2.