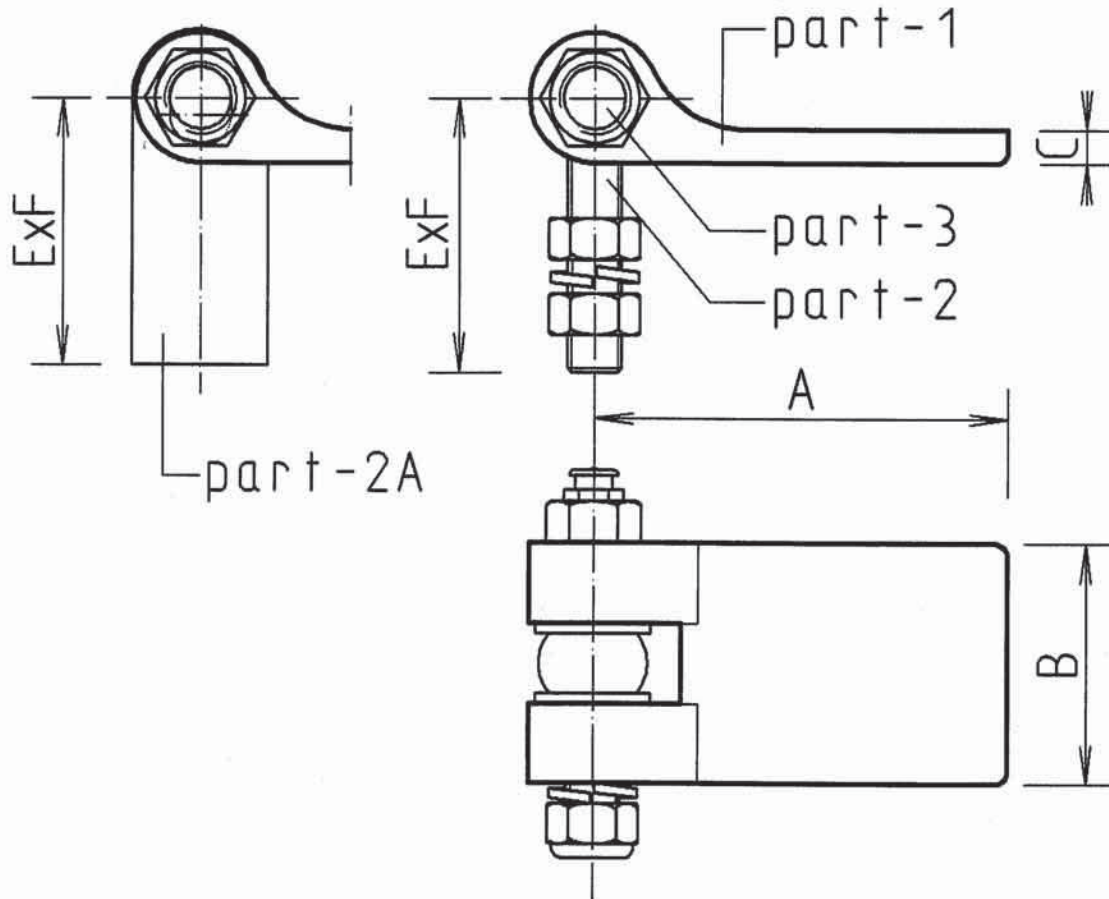




HEAVY DUTY STEEL WELD-ON-HINGES *FLAT TYPE*

Gesmeed scharnier
Forged hinge
Geschmiedetes Scharnier
Charnière forgée



Part No.	Part - 1		Part - 2		Part - 3	
	Material	Dimensions AxBxC	Material	Dimensions ExF	Material	Type
12.ST.370.01	Steel	97 x 50 x 10mm	Stainless steel	M12 x 100mm	Stainless steel	Ringspindle
16.ST.370.12	Steel	122,5 x 70 x 10mm	Stainless steel	M16 x 80mm	Stainless steel	Ringspindle
16.ST.370.13	Steel	122,5 x 70 x 10mm	Stainless steel	M16 x 120mm	Stainless steel	Ringspindle
20.ST.370.22	Steel	122,5 x 70 x 10mm	Stainless steel	M20 x 80mm	Stainless steel	Ringspindle
20.ST.370.23	Steel	122,5 x 70 x 10mm	Stainless steel	M20 x 130mm	Stainless steel	Ringspindle
12.ST.370.51	Steel	97 x 50 x 10mm	Stainless steel	M12 x 100mm	Stainless steel	Boltspindle
16.ST.370.62	Steel	122 x 70 x 10mm	Stainless steel	M16 x 80mm	Stainless steel	Boltspindle
16.ST.370.63	Steel	122 x 70 x 10mm	Stainless steel	M16 x 120mm	Stainless steel	Boltspindle
20.ST.370.72	Steel	122 x 70 x 10mm	Stainless steel	M20 x 80mm	Stainless steel	Boltspindle
20.ST.370.73	Steel	122 x 70 x 10mm	Stainless steel	M20 x 130mm	Stainless steel	Boltspindle

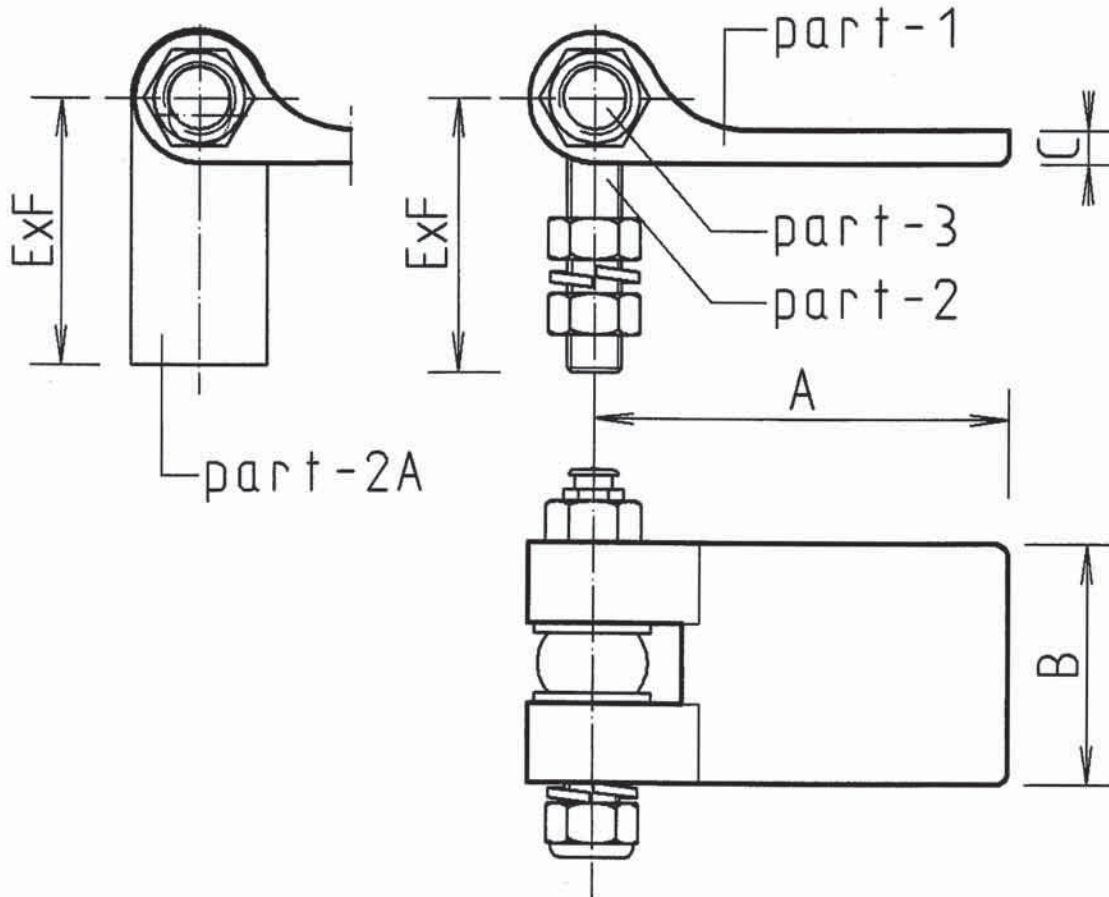
Part No.	Part - 1		Part - 2A		Part - 3	
	Material	Dimensions AxBxC	Material	Dimensions ExF	Material	Type
20.ST.370.32	Steel	122 x 70 x 10mm	Steel	40x22/87x92mm	Stainless steel	Ringspindle
20.ST.370.82	Steel	122 x 70 x 10mm	Steel	40x22/87x92mm	Stainless steel	Boltspindle

The doorhinges are supplied complete with 2 nuts and washers each.



HEAVY DUTY STAINLESS STEEL WELD-ON-HINGES *FLAT TYPE*

Gesmeed scharnier
Forged hinge
Geschmiedetes Scharnier
Charnière forgée



Part No.	Part - 1		Part - 2		Part - 3	
	Material	Dimensions AxBxC	Material	Dimensions ExF	Material	Type
12.SS.370.03	Stainless steel	97x50x10mm	Stainless steel	M12x100mm	Stainless steel	Ringspindle
16.SS.370.17	Stainless steel	122x70x10mm	Stainless steel	M16x 80mm	Stainless steel	Ringspindle
16.SS.370.18	Stainless steel	122x70x10mm	Stainless steel	M16x120mm	Stainless steel	Ringspindle
20.SS.370.27	Stainless steel	122x70x10mm	Stainless steel	M20x 80mm	Stainless steel	Ringspindle
20.SS.370.28	Stainless steel	122x70x10mm	Stainless steel	M20x130mm	Stainless steel	Ringspindle
12.SS.370.53	Stainless steel	97x50x10mm	Stainless steel	M12x100mm	Stainless steel	Boltspindle
16.SS.370.67	Stainless steel	122x70x10mm	Stainless steel	M16x 80mm	Stainless steel	Boltspindle
16.SS.370.68	Stainless steel	122x70x10mm	Stainless steel	M16x120mm	Stainless steel	Boltspindle
20.SS.370.77	Stainless steel	122x70x10mm	Stainless steel	M20x 80mm	Stainless steel	Boltspindle
20.SS.370.78	Stainless steel	122x70x10mm	Stainless steel	M20x130mm	Stainless steel	Boltspindle

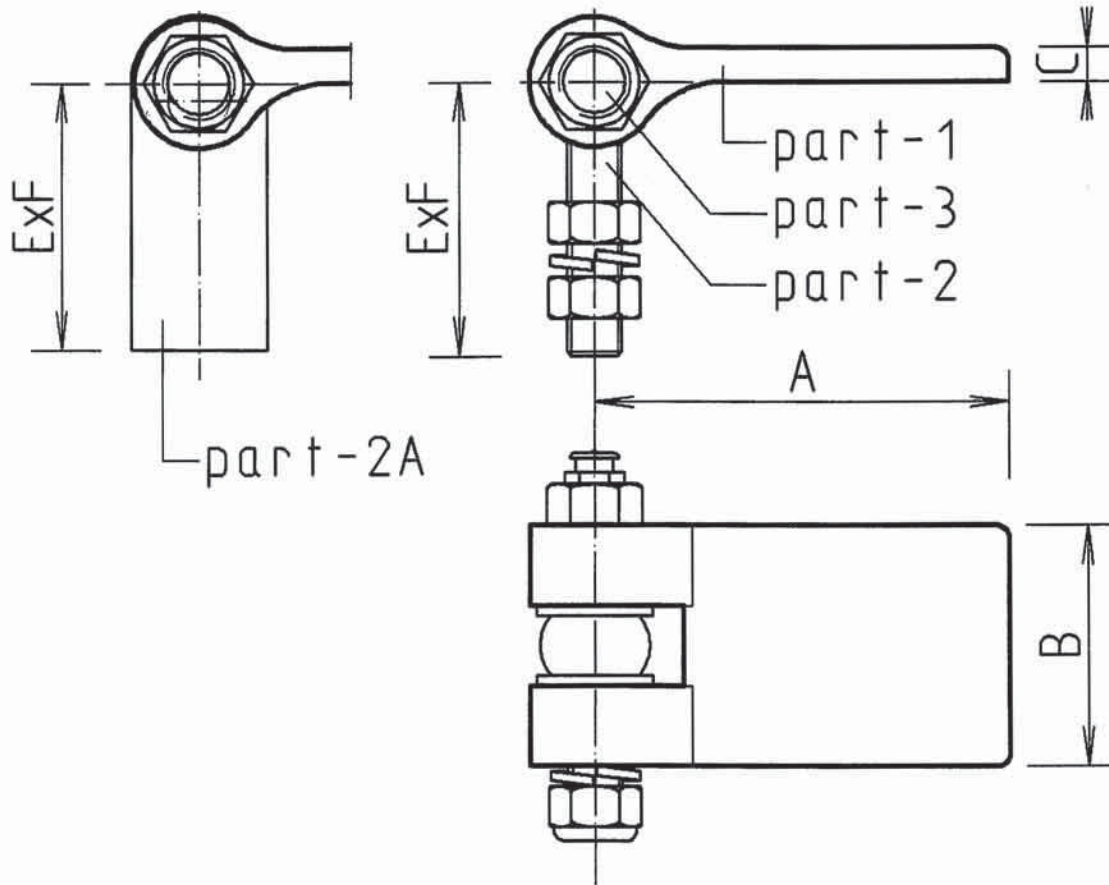
Part No.	Part - 1		Part - 2A		Part - 3	
	Material	Dimensions AxBxC	Material	Dimensions ExF	Material	Type
20.SS.370.37	Stainless steel	122x70x10mm	Stainless steel	40x22/87x92mm	Stainless steel	Ringspindle
20.SS.370.87	Stainless steel	122x70x10mm	Stainless steel	40x22/87x92mm	Stainless steel	Boltspindle

The doorhinges are supplied complete with 2 nuts and washers each.



HEAVY DUTY STEEL WELD-ON-HINGES CENTER TYPE

Gesmeed scharnier
Forged hinge
Geschmiedetes Scharnier
Charnière forgée



Part No.	Part - 1		Part - 2		Part - 3	
	Material	Dimensions AxBxC	Material	Dimensions ExF	Material	Type
12.ST.380.01	Steel	97 x 50 x 10mm	Stainless steel	M12 x 100mm	Stainless steel	Ringspindle
16.ST.380.12	Steel	122 x 70 x 10mm	Stainless steel	M16 x 80mm	Stainless steel	Ringspindle
16.ST.380.13	Steel	122 x 70 x 10mm	Stainless steel	M16 x 120mm	Stainless steel	Ringspindle
20.ST.380.22	Steel	122 x 70 x 10mm	Stainless steel	M20 x 80mm	Stainless steel	Ringspindle
20.ST.380.23	Steel	122 x 70 x 10mm	Stainless steel	M20 x 130mm	Stainless steel	Ringspindle
12.ST.380.51	Steel	97 x 50 x 10mm	Stainless steel	M12 x 100mm	Stainless steel	Boltspindle
16.ST.380.62	Steel	122 x 70 x 10mm	Stainless steel	M16 x 80mm	Stainless steel	Boltspindle
16.ST.380.63	Steel	122 x 70 x 10mm	Stainless steel	M16 x 120mm	Stainless steel	Boltspindle
20.ST.380.72	Steel	122 x 70 x 10mm	Stainless steel	M20 x 80mm	Stainless steel	Boltspindle
20.ST.380.73	Steel	122 x 70 x 10mm	Stainless steel	M20 x 130mm	Stainless steel	Boltspindle

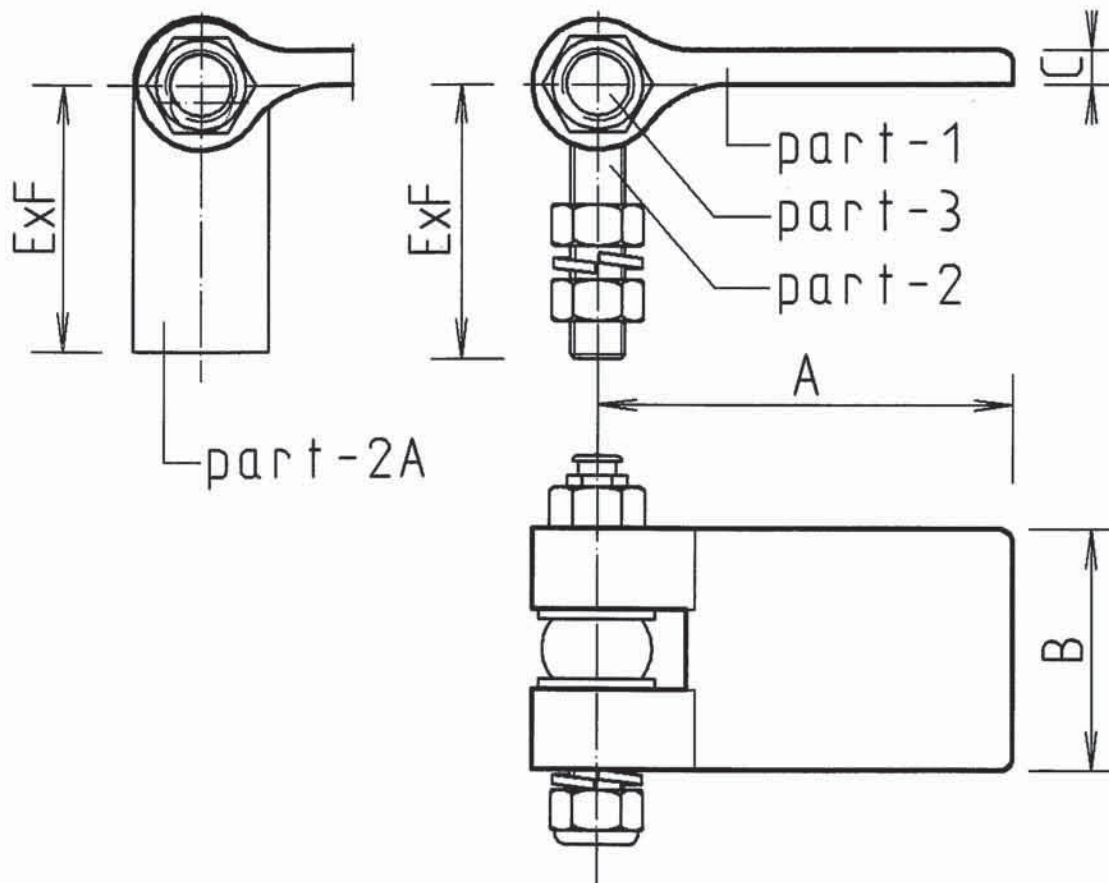
Part No.	Part - 1		Part - 2A		Part - 3	
	Material	Dimensions AxBxC	Material	Dimensions ExF	Material	Type
20.ST.380.32	Steel	122 x 70 x 10mm	Steel	40x22/78x83mm	Stainless steel	Ringspindle
20.ST.380.82	Steel	122 x 70 x 10mm	Steel	40x22/78x83mm	Stainless steel	Boltspindle

The doorhinges are supplied complete with 2 nuts and washers each.



HEAVY DUTY STAINLESS STEEL WELD-ON-HINGES CENTER TYPE

Gesmeed scharnier
Forged hinge
Geschmiedetes Scharnier
Charnière forgée



Part No.	Part - 1		Part - 2		Part - 3	
	Material	Dimensions AxBxC	Material	Dimensions ExF	Material	Type
12.SS.380.03	Stainless steel	97 x 50 x 10mm	Stainless steel	M 12 x 100mm	Stainless steel	Ringspindle
16.SS.380.17	Stainless steel	122 x 70 x 10mm	Stainless steel	M 16 x 80mm	Stainless steel	Ringspindle
16.SS.380.18	Stainless steel	122 x 70 x 10mm	Stainless steel	M 16 x 120mm	Stainless steel	Ringspindle
20.SS.380.27	Stainless steel	122 x 70 x 10mm	Stainless steel	M 20 x 80mm	Stainless steel	Ringspindle
20.SS.380.28	Stainless steel	122 x 70 x 10mm	Stainless steel	M 20 x 130mm	Stainless steel	Ringspindle
12.SS.380.53	Stainless steel	97 x 50 x 10mm	Stainless steel	M 12 x 100mm	Stainless steel	Boltspindle
16.SS.380.67	Stainless steel	122 x 70 x 10mm	Stainless steel	M 16 x 80mm	Stainless steel	Boltspindle
16.SS.380.68	Stainless steel	122 x 70 x 10mm	Stainless steel	M 16 x 120mm	Stainless steel	Boltspindle
20.SS.380.77	Stainless steel	122 x 70 x 10mm	Stainless steel	M 20 x 80mm	Stainless steel	Boltspindle
20.SS.380.78	Stainless steel	122 x 70 x 10mm	Stainless steel	M 20 x 130mm	Stainless steel	Boltspindle

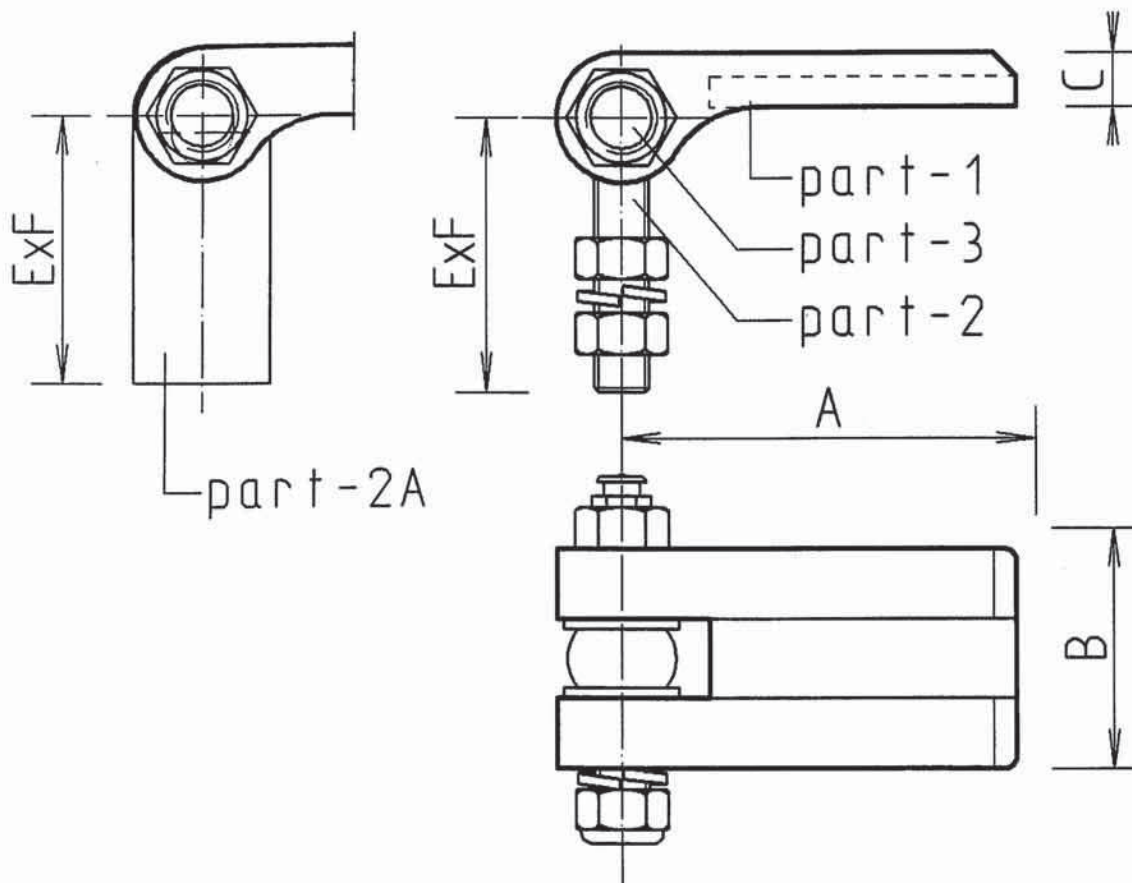
Part No.	Part - 1		Part - 2A		Part - 3	
	Material	Dimensions AxBxC	Material	Dimensions ExF	Material	Type
20.SS.380.37	Stainless steel	122 x 70 x 10mm	Stainless steel	40x22/78x83mm	Stainless steel	Ringspindle
20.SS.380.87	Stainless steel	122 x 70 x 10mm	Stainless steel	40x22/78x83mm	Stainless steel	Boltspindle

The doorhinges are supplied complete with 2 nuts and washers each.



HEAVY DUTY ALUMINIUM WELD-ON-HINGES CENTER TYPE

Gegoten scharnier
Cast hinge
Guss Scharnier
Charnière coulée



Part No.	Part - 1		Part - 2		Part - 3	
	Material	Dimensions AxBxC	Material	Dimensions ExF	Material	Type
12.AL.390.01	Aluminium	97x50x15mm	Stainless steel	M12x100mm	Stainless steel	Ringspindle
16.AL.390.12	Aluminium	120x65x18mm	Stainless steel	M16x80mm	Stainless steel	Ringspindle
16.AL.390.13	Aluminium	120x65x18mm	Stainless steel	M16x120mm	Stainless steel	Ringspindle
20.AL.390.22	Aluminium	120x65x18mm	Stainless steel	M20x80mm	Stainless steel	Ringspindle
20.AL.390.23	Aluminium	120x65x18mm	Stainless steel	M20x130mm	Stainless steel	Ringspindle
12.AL.390.51	Aluminium	97x50x15mm	Stainless steel	M12x100mm	Stainless steel	Boltspindle
16.AL.390.62	Aluminium	120x65x18mm	Stainless steel	M16x80mm	Stainless steel	Boltspindle
16.AL.390.63	Aluminium	120x65x18mm	Stainless steel	M16x120mm	Stainless steel	Boltspindle
20.AL.390.72	Aluminium	120x65x18mm	Stainless steel	M20x80mm	Stainless steel	Boltspindle
20.AL.390.73	Aluminium	120x65x18mm	Stainless steel	M20x130mm	Stainless steel	Boltspindle

Part No.	Part - 1		Part - 2A		Part - 3	
	Material	Dimensions AxBxC	Material	Dimensions ExF	Material	Type
20.AL.390.32	Aluminium	120x65x18mm	Steel	40x20/78x83mm	Stainless steel	Ringspindle
20.AL.390.33	Aluminium	120x65x18mm	Aluminium	40x20/78x83mm	Stainless steel	Ringspindle
20.AL.390.82	Aluminium	120x65x18mm	Steel	40x20/78x83mm	Stainless steel	Boltspindle
20.AL.390.83	Aluminium	120x65x18mm	Aluminium	40x20/78x83mm	Stainless steel	Boltspindle

The doorhinges are supplied complete with 2 nuts and washers each.