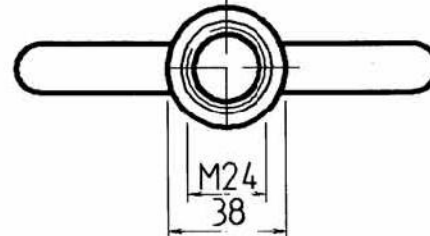
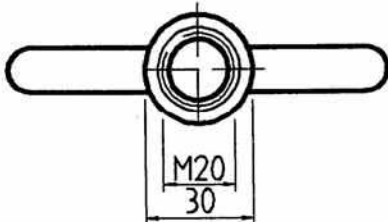
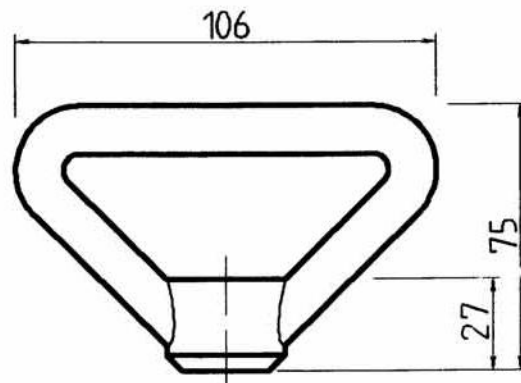
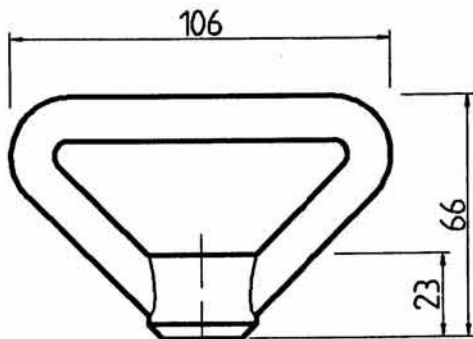
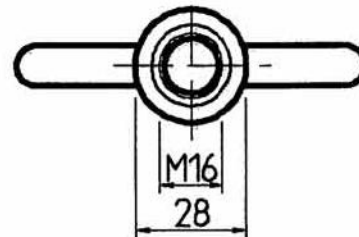
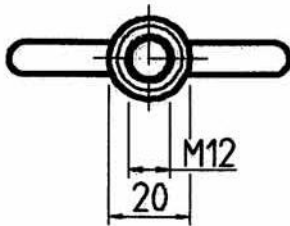
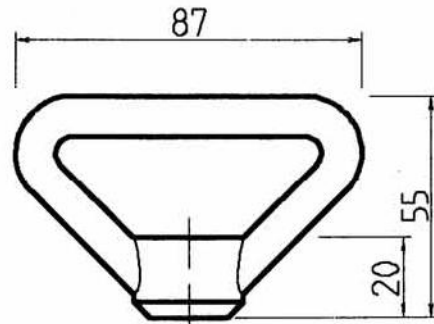
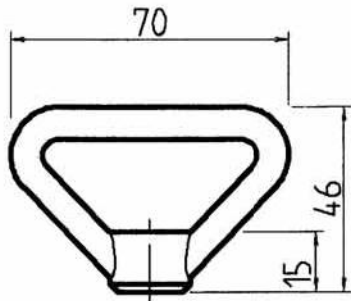




# TOGGLE

Korfmoer  
Korbmutter  
Ecrou en anse de panier

Roestvrij staal  
Rostfreier stahl  
Acier inoxydable



Part nr.	Material	Type
10.SS.201.00	Stainless steel AISI 316	M10 Toggle
12.SS.202.00	Stainless steel AISI 316	M12 Toggle
16.SS.203.00	Stainless steel AISI 316	M16 Toggle
20.SS.204.00	Stainless steel AISI 316	M20 Toggle

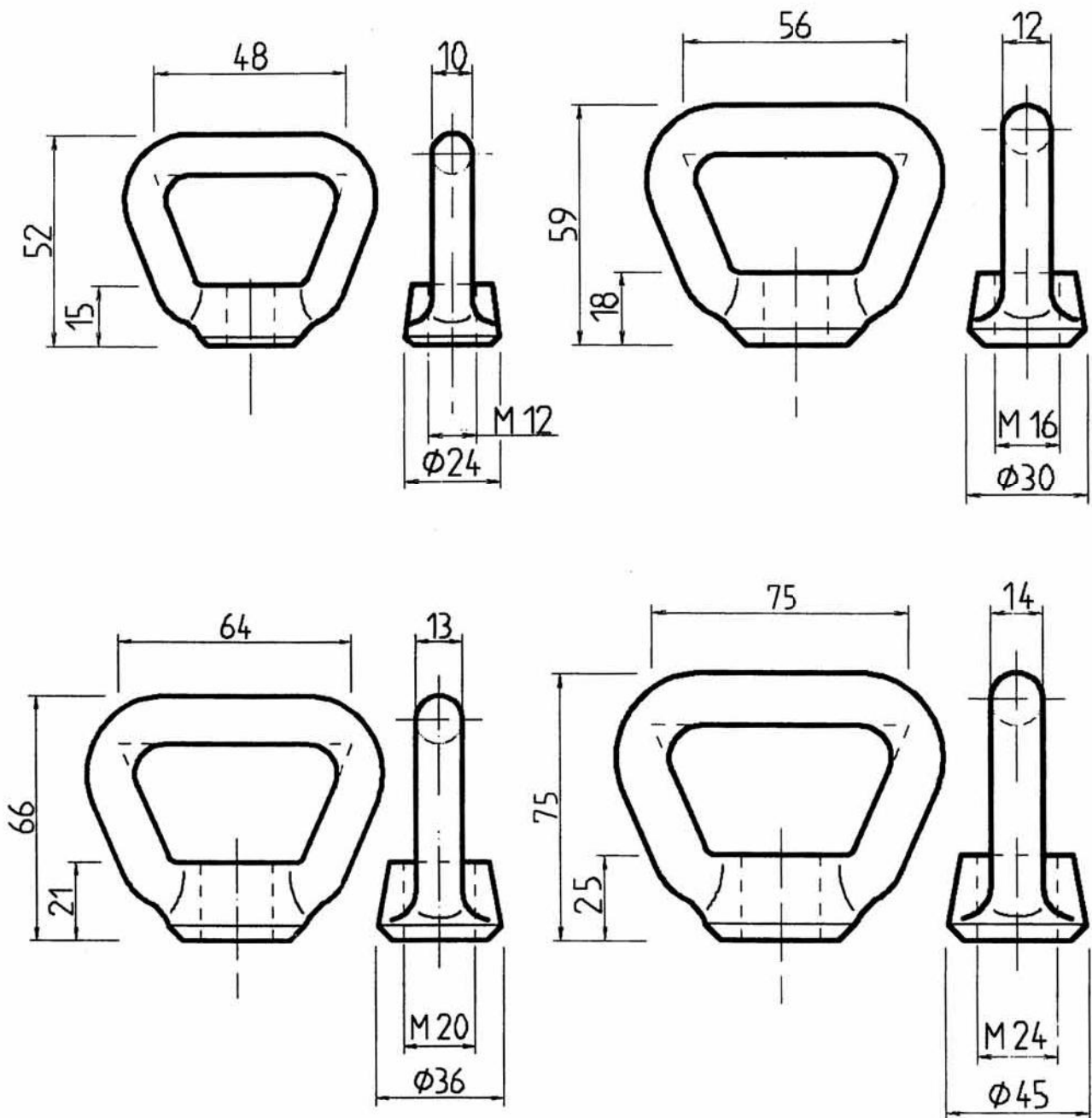
AISI 316 is equal to Werkstoff nr. 1.4408



# TOGGLE

Korfmoer  
Korbmutter  
Ecrou en anse de panier

Messing  
Messing  
Laiton



Part nr.	Material	Type
12.BR.212.00	Brass	M12 Toggle
16.BR.213.00	Brass	M16 Toggle
20.BR.214.00	Brass	M20 Toggle
24.BR.215.00	Brass	M24 Toggle

Brass in accordance with DIN 17.673 Blatt 1.  
Dimensions in accordance with DIN 80.704. Material: Cu Zu 40Pb2.